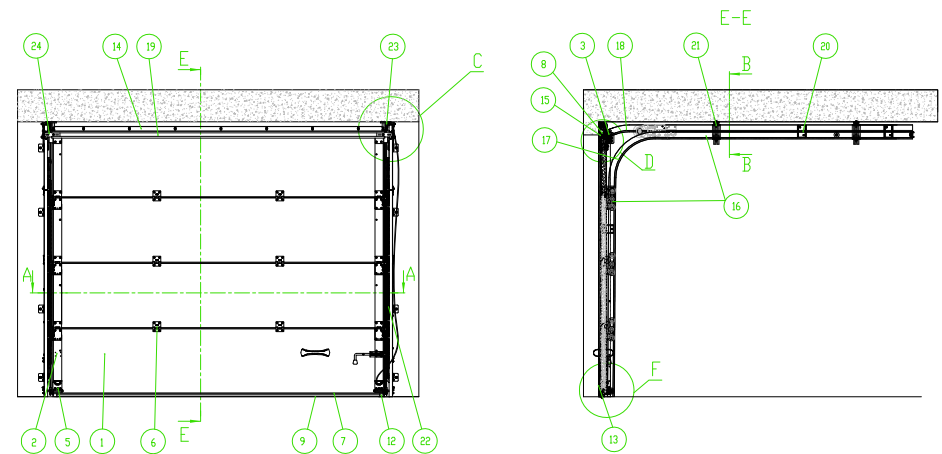


Prestige series garage doors with tension springs

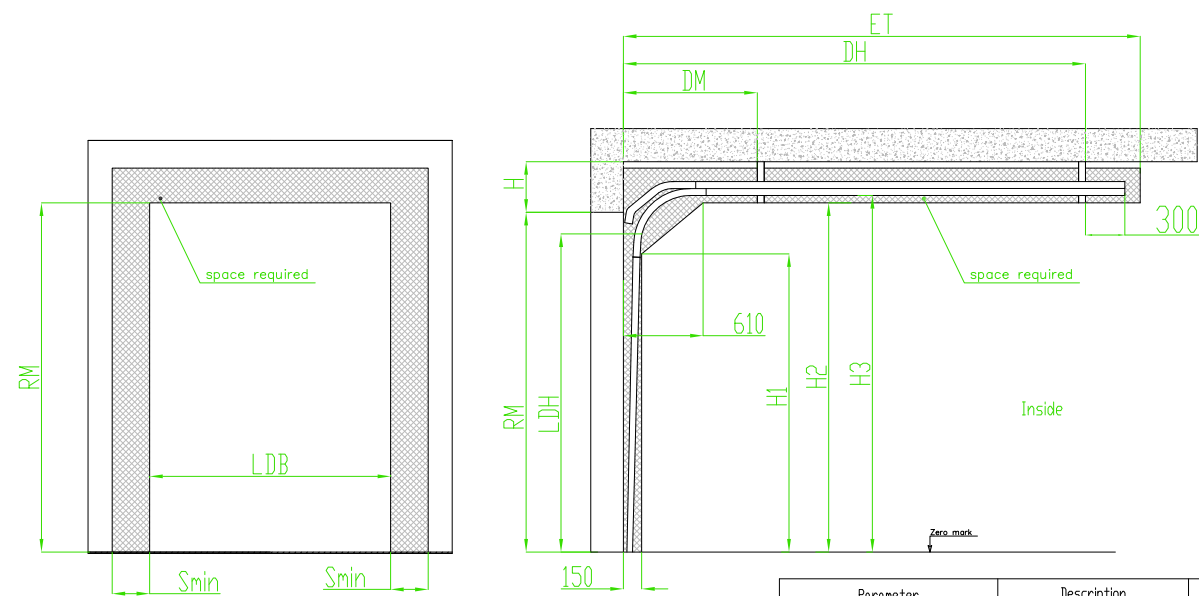


Description of the design of doors with a wicket



Name/Case	
1	Sandwich-panel
2	side cover
3	upper roller bracket
4	side roller bracket
5	bottom roller bracket
6	intermediate hinge
7	final profile (bottom)
8	final profile (top)
9	bottom seal
10	handle
11	slide bolt
12	end support
13	angle profile
14	top frame profile
15	seal
16	track profile
17	radius element
18	track set
19	measuring bar
20	connecting plates
21	telescopic bracket
22	spring balancing system
23	sheave
24	measuring bar bracket

Mounting diagram

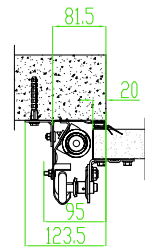


Parameter	Description	Value
H, mm	Lintel height	min 100 (manual operation) min 120 (manual operation with key lock) min 140 (electric drive)
ET, mm	Depth of door entering into the premises	RM+400
Smin, mm	Minimum side room for angle bars mounting	95 - mounting brackets inside the bars 125 - mounting brackets outside the bars
DH, mm	Positioning of fixing point	RM+90
DM, mm	Positioning of fixing point	900
H1, mm	Dimension limiting door operated area	RM-420
H2, mm	Dimension limiting door operated area	RM-95
H3, mm	Height of the horizontal track	RM-30
LDH, mm	Clear opening height	RM-170 (manual operation) RM-100 (manual operation with catcher LH3004) RM-140 (electric)
LDW**, mm	Clear opening width	LDB-50

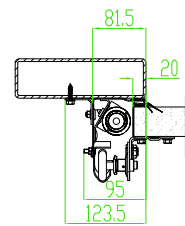
**Clear opening width is measured as the distance between the vertical seals.

A(5:1) Installation of vertical guide racks:

- a) concrete wall mounting, fixing brackets are outside the racks
- b) concrete wall mounting, fixing brackets are inside the racks

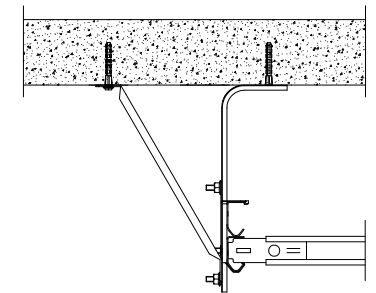


- a) metal structure mounting, fixing brackets are outside the racks
- b) metal structure mounting, fixing brackets are inside the racks

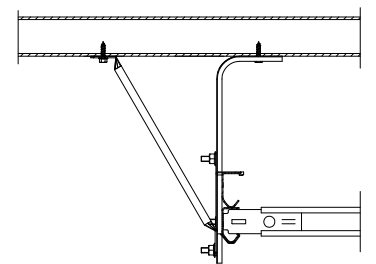


B(5:1) Installation of horizontal guide profiles:

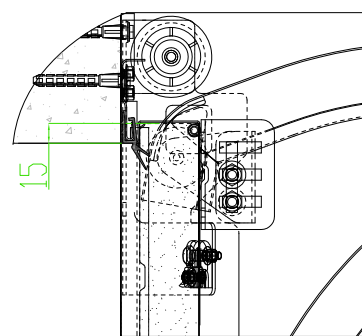
- a) concrete ceiling mounting



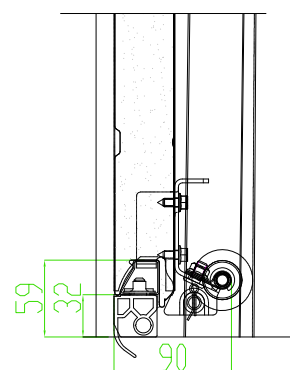
- b) metal structure mounting



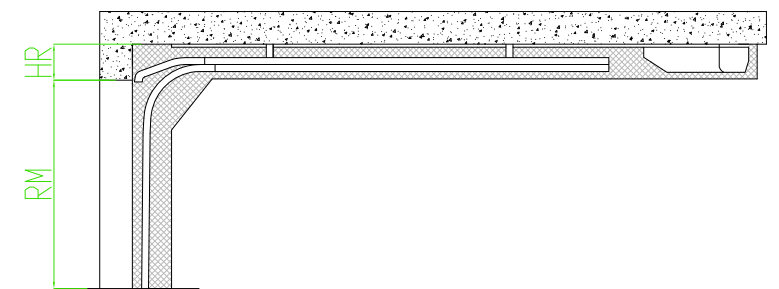
D(10:1) Door leaf adjoining to the lintel



F(10:1) Door leaf adjoining to the floor



Additional parameters for motorized garage doors



Drive series	Opening height RM, mm	Rail type	dimension of drive positioning V, mm	Height of rail positioning HR, mm
Comfort 50/60	to 2600	SZ-12SL (RU)	3750	140
Comfort 60L	to 3150	SZ-13SL	4300	
Comfort 260/270/280 (speed)	to 2100	SZ-11SL	3300	
	to 2600	SZ-12SL (RU)	3750	145* / 220
RT600 / 1000	to 2650	LGR-3600B	3900	
	to 3250	LGR-4200B	4500	
ASG600 / 1000	to 2600	ASG3/3B	3700	140
ASG1000	to 3300	ASG4/4B	4400	
Levigato	to 2400	LGR-3300B/C	3650	140
	to 2700	LGR-3600B/C	3950	
	to 3300	LGR-4200B/C	4550	

*Only if to move a rail carriage to a rear door C-profile (the carriage shouldn't be moved beyond the rear door C-profile). Rail carriage design should be taken into consideration for installation of doors with the motor. Detailed information can be found in the motor installation manual.

Sample doors 2500x2000 mm (WxH). Lintel height H=min140 mm

